

A

B

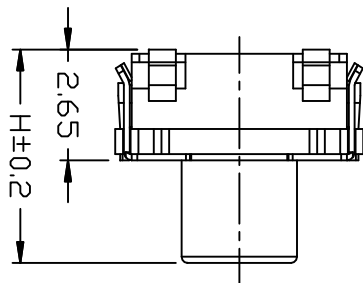
C

D

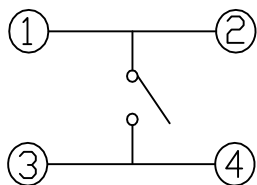
E

F

-



CIRCUIT DIAGRAM

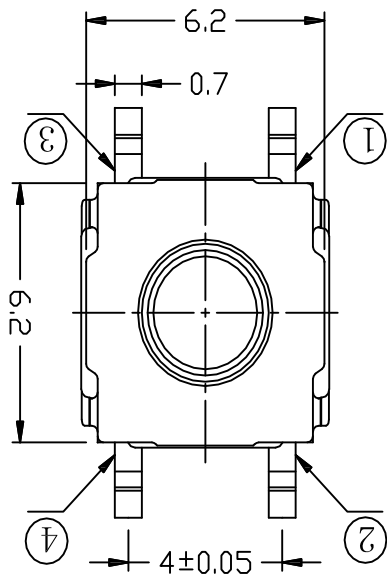
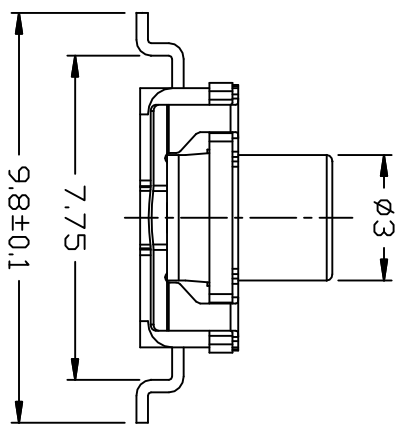


Specification

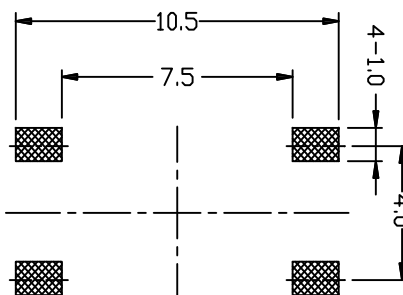
FUNCTION: Momentary action
 CONTACT ARRANGEMENT: 1 make contact = SPST, N.O.
 TERMINALS: J bend & Gullwing type for SMT
 SEALING: IP67

DIELECTRIC STRENGTH (50 Hz, 1 min.): ≥ 250 Vrms
 CONTACT RESISTANCE: ≤ 100 m Ω
 INSULATION RESISTANCE (100 V): ≥ 10 M Ω
 BOUNCE TIME: ≤ 1 ms

* Ultra low current with 10 μ A - 1 VDC version are available upon request for TPC2 and TPC4



P.C.B LAND DIMENSION



TPC2	TPC3	TPC4	TPC5
Soft actuator	Soft actuator	Soft actuator	Soft actuator
H = 3.4 mm	H = 4.2 mm	H = 4.8 mm	H = 5.1 mm
IP67	IP67	IP67	IP67

PAPT NO	TPCX-X-X
Operating Force	A:100gf B:160gf C:260gf D:320gf E:400gf
color	BL:blue W:white

REV.	DATE	REVISION	DESCRIPTION	ISSUE
A4				
A3				
A2				
A1				



COMMON TOLERANCE:

X.XX	± 0.10
X.X	± 0.15
X	± 0.25
ANGULAR	—

UNIT	MM	PROJECTED		PRODUCT NAME:
DRAWN BY	FUYUAN	CHECKED BY	COCO	MODEL NO: TPCX-X-X
DATE	2017	APPROVAL BY	ALEN	Https: www.rocpu.tw
ROC PU TECHNOLOGY CO., LTD				
Copies are issued in strict confidence and shall not be reproduced or copied, or used as the basic of manufacture or sale of apparatus without permission				